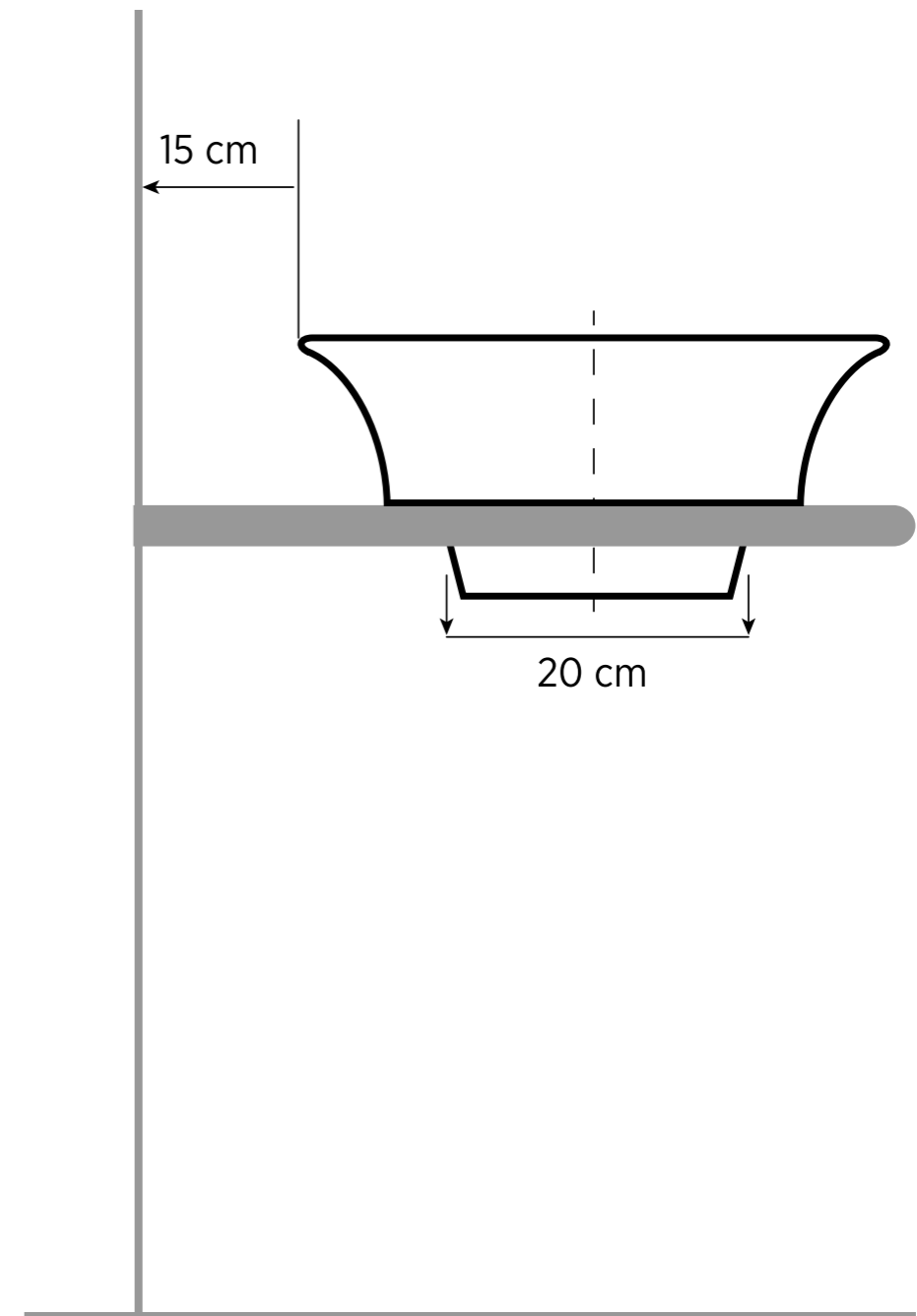
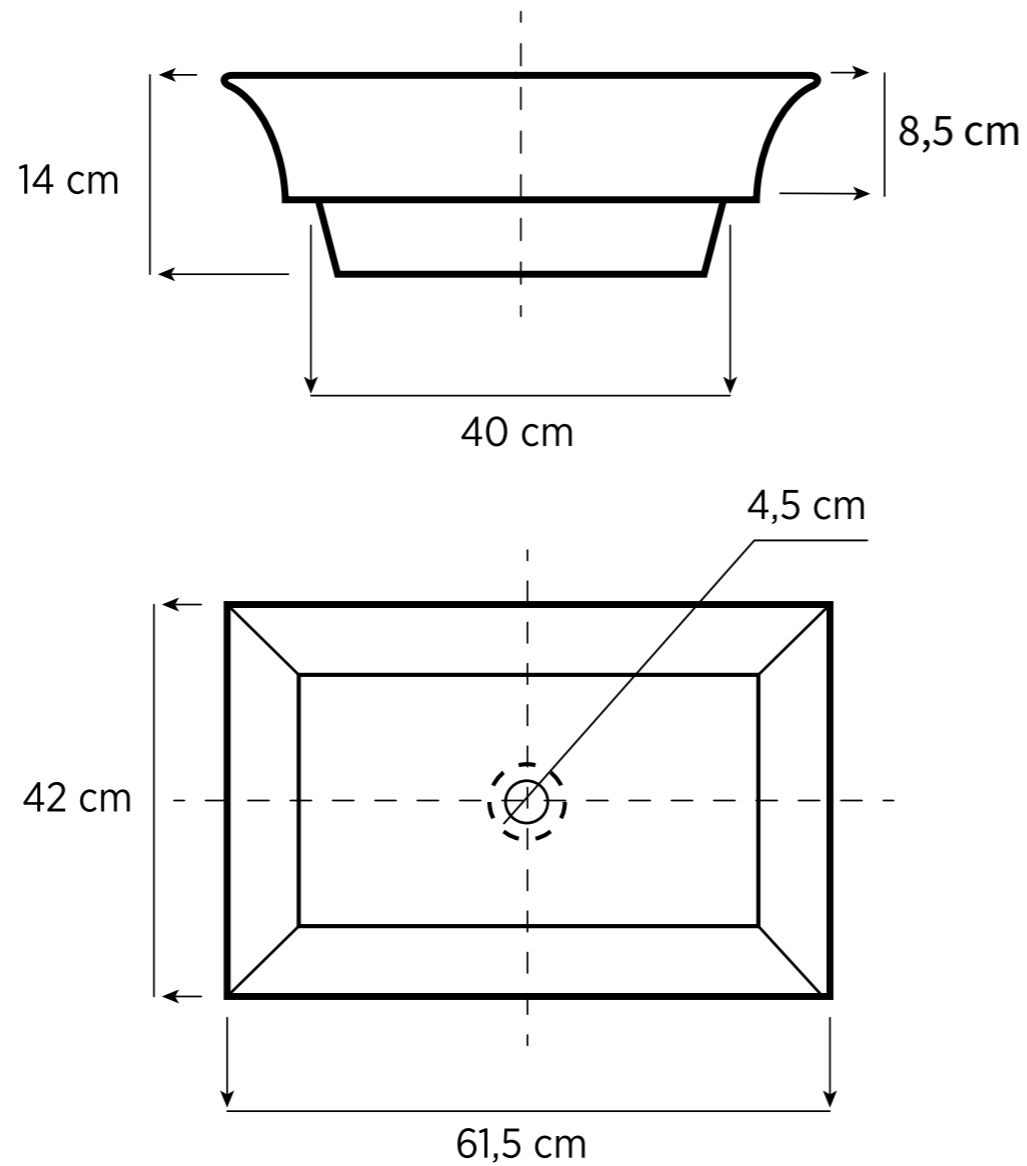




MANATARES



BOX SIZE*

TYPE

CARE INSTRUCTIONS

UNIQUESS

H
L: 72 cm
P: 50 cm
H: 28 cm

✓ **OVERTOP**
SEMI INSERT
INSERT

In order to preserve the appearance and durability of the product, never use abrasive sponges, hydrochloric or acetic acids, ammonia or metal silicates.

Many products are made of technical Ceramic glazing or natural, woods, or metals,. Beacuse of natural variations, and/or handmade processof the products, slight differences are expetted and are not deemed manufacturing defects.

* Tollerance +/- 2%