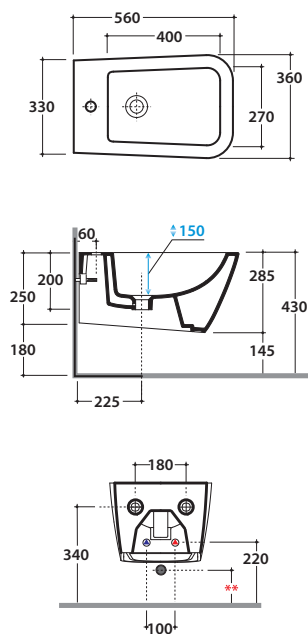
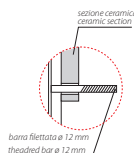


STONE WALL-HUNG BIDET STS09BI

CE EN 14528:2015

GLOBO



Ceramic antibacterial effect
BATAFORM®



Glazed product with
CERASLIDE®

Cod. **STS09BI**

Wall-hung bidet 56.36 h28,5 cm. Fixing kit included. Weight 20 Kg

** for installation with:
siphon "S"-160 mm
siphon SF052- 140 mm



Cod. **FI012BI**

Push open valve drain with ceramic top for bidet. Weight 0,5 Kg



Cod. **FI012CR**

Push open chromed valve drain for bidet. Weight 0,5 Kg



Cod. **PU001**

Acoustic and crash protection.



Cod. **FI002**

Fixing brackets for W/H sanitary. Weight 2,5 Kg